



TRUFIG





TRUFIG

Key Features:

- True flush-mounted aesthetic
- Continuity of color and texture across multiple devices
- Uniform industrial design
- Adjustable for material thicknesses from 1/2" to 1-1/4"
- 1/2" or 5/8" mounting platforms available
- ETL - Certified



Applications:

- Stone
- Wood
- Nearly any surface applied solid material
- Additional applications for Drywall & Plaster with TRUFIG Drywall Solutions

Supported Categories:



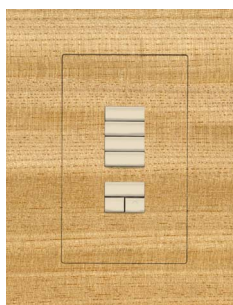
Switches



Power Outlets



Data Jacks



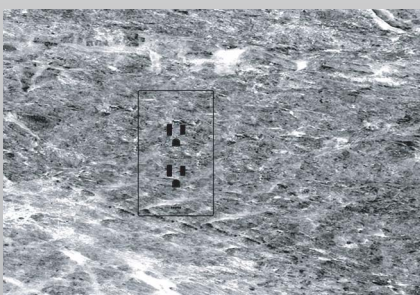
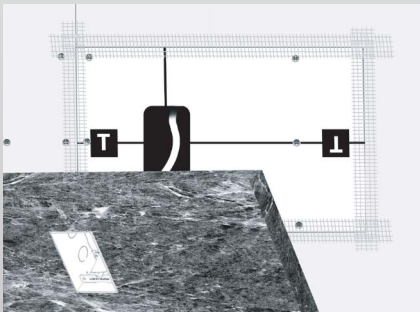
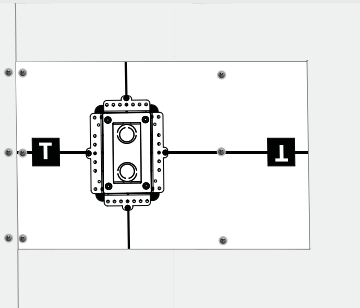
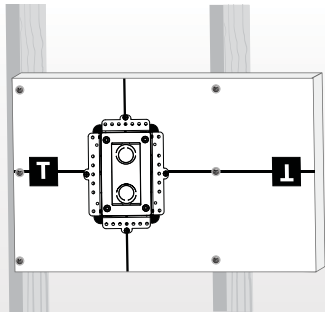
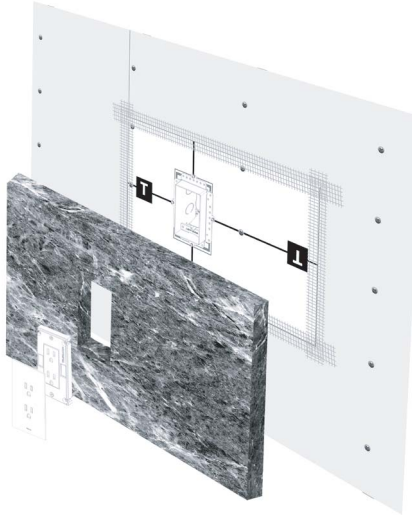
Keypads



Blank Fascia



Touch Panels



SOLID SURFACE INSTALLATION PROCESS

TRUFIG.COM

Available at:

DSI Entertainment Systems
audio video cinema integration

(866) 692-8489

www.dsientertainment.com